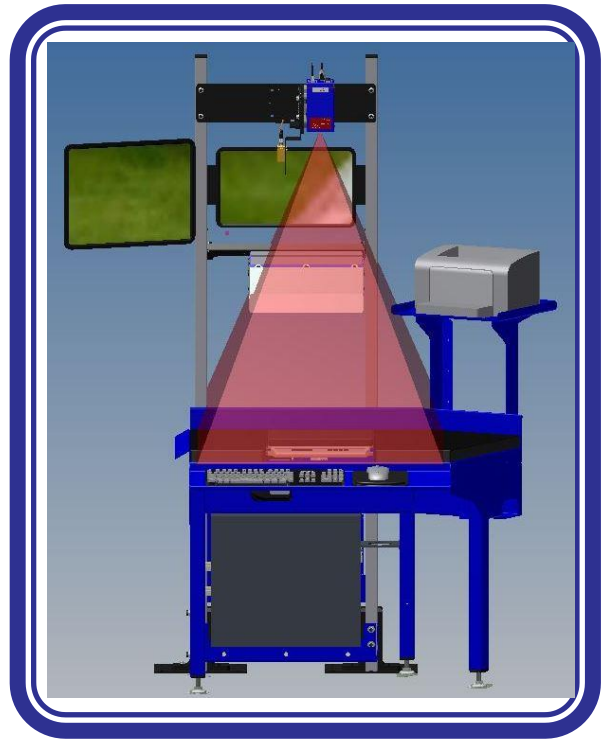


POSTIS Rapid DWS (Dim/Weigh/Scan)

The POSTIS Rapid DWS integrates the POSTIS 4K BCR/OCR Image Acquisition Camera and the POSTIS LED Illumination with your spec'd scale and/or labeler in an ergonomically friendly workstation to provide an effective and efficient dimension/weigh/scan workstation.



Product Features

Automated Data Acquisition Camera

- 320 DPI Image Resolution
- Color/Mono
- 12x Optical, 20x Digital Zoom
- Compact, Ruggedized

Illumination

- Cool, Consistent Illumination
- Completely Self-Contained, "Plug-n-Play" Design
- Low Power Consumption

Applications

- Dimension/Weigh/Scan Letters
- Dimension/Weigh/Scan Parcels (Not Pictured)
- Scan BCR/OCR
- Legal-for-Trade Dimensioning
- Legal-for-Trade Weighing

Specifications

Max Package Size (LxWxH)	Small - 18"x18"x8", Large - 24"x24"x20"	BCR/OCR (OCR Optional)	> 320 dpi address block capture	System Throughput	400pph*
Min Package Size (LxWxH)	Small - 4"x4"x0.25", Large - 4"x4"x0.25"		4K CMOS sensor for superb image quality		- *Operator and package-profile dependent
Dimensional Accuracy	0.0625"		- 1/2.3" CMOS sensor provides 3840 x 2160 resolution, (4x) > than full HD		
			144x total zoom capability	Laser Type	Class 2
Max Package Weight	50 lbs.		Outputs in multiple formats		
Min Package Weight	.001 lbs.		- 4k video, Full Image, Thumbnail	Illumination	Very compact and lightweight
Scale Resolution	.02 oz.		Color and/or monochrome images		Modular design; easily adapted to existing applications
					Self-cooling; built-in heat sink with external fan (optional)
Barcode Methodologies	- 1D (39,128, I2of5, POSTNET, Planet, USPSIMB, EAN, UPC) '- 2D (DataMatrix, PDF417, Maxi, QR) and many more	System Interfaces	Host interface for DWS information, label print information		~ 85% less power draw than sodium vapor lighting
					Reduced spares and replacement costs

©2016 POSTIS, LLC. All rights reserved.
Reproduction in whole or in part without written permission is prohibited.

Dimensioning Data

